



Green Star Compliance Criteria affect IEQ-4/ Technical clarification 10/09

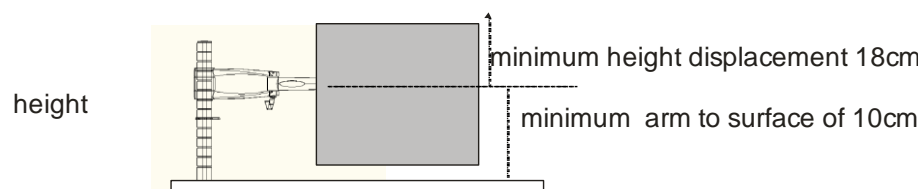
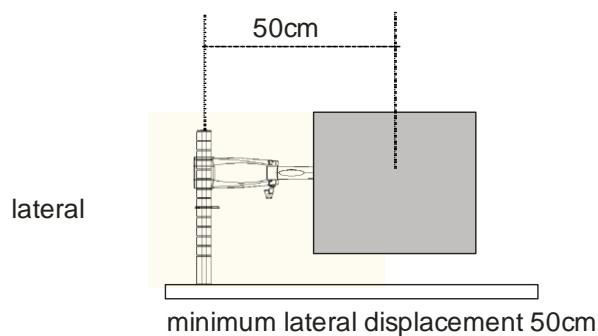
The Additional Guidance for this credit now states that-

CBS have 6 adjustable arms that comply with the new Green Star changes



Adjustable Arms must have at least two articulations and be able to provide the monitor with a vertical and horizontal displacement, and be positioned at any point in this displacement, as follows-

- The horizontal displacement must be at least 50 cms total measured from either horizontal extremity measured from the centre point of where the monitor arm is designed to attach to the monitor, and
- The vertical displacement must be at least 18cms measured as though there is a 19" monitor arm attached. Therefore, there must be at least 10cms clearance between the surface of the table/desk and the centre of the monitor arm. The displacement itself is then measured upwards from the centre of the arm





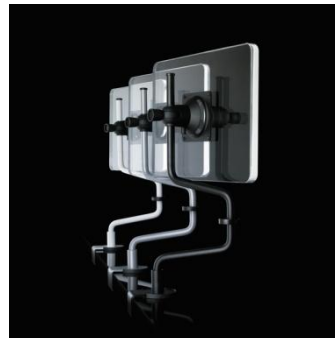
All Six (6) Green Star compliant products from CBS

Daisy One, Rodney, Wishbone, Wishbone Plus, Zorro and Giselle

DAISY ONE suggested post size 50cm for single and dual



RODNEY with standard post height of 50cm

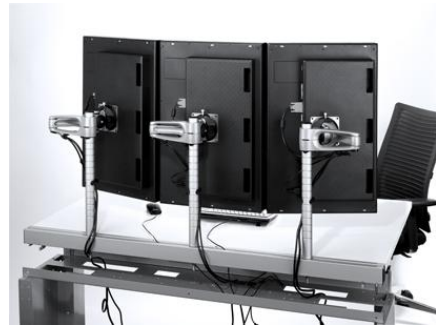


WISHBONE suggested post height of 40 or 50cms





WISHBONE PLUS suggested post height of 40 or 50cm



ZORRO suggested post height of 30cm



GISELLE suggested post height of 30cms





An ergonomically sound workspace is vital for a healthy and productive working environment. Mounting monitors at the correct height for individual users vastly improves posture and may prevent long-term back problems.

Colebrook Bosson Saunders recognised the need for ergonomic office equipment and launched the market's very first monitor arm in the mid 1980s.

We were also the first to design arms for flat screens, foreseeing the huge demand for LCD monitors.

The Colebrook Bosson Saunders monitor arm range now includes a wide variety of models and sizes, all designed with the user in mind. They can be mounted on posts, slat walls, toolbars and, with the design of special brackets, almost any other surface.